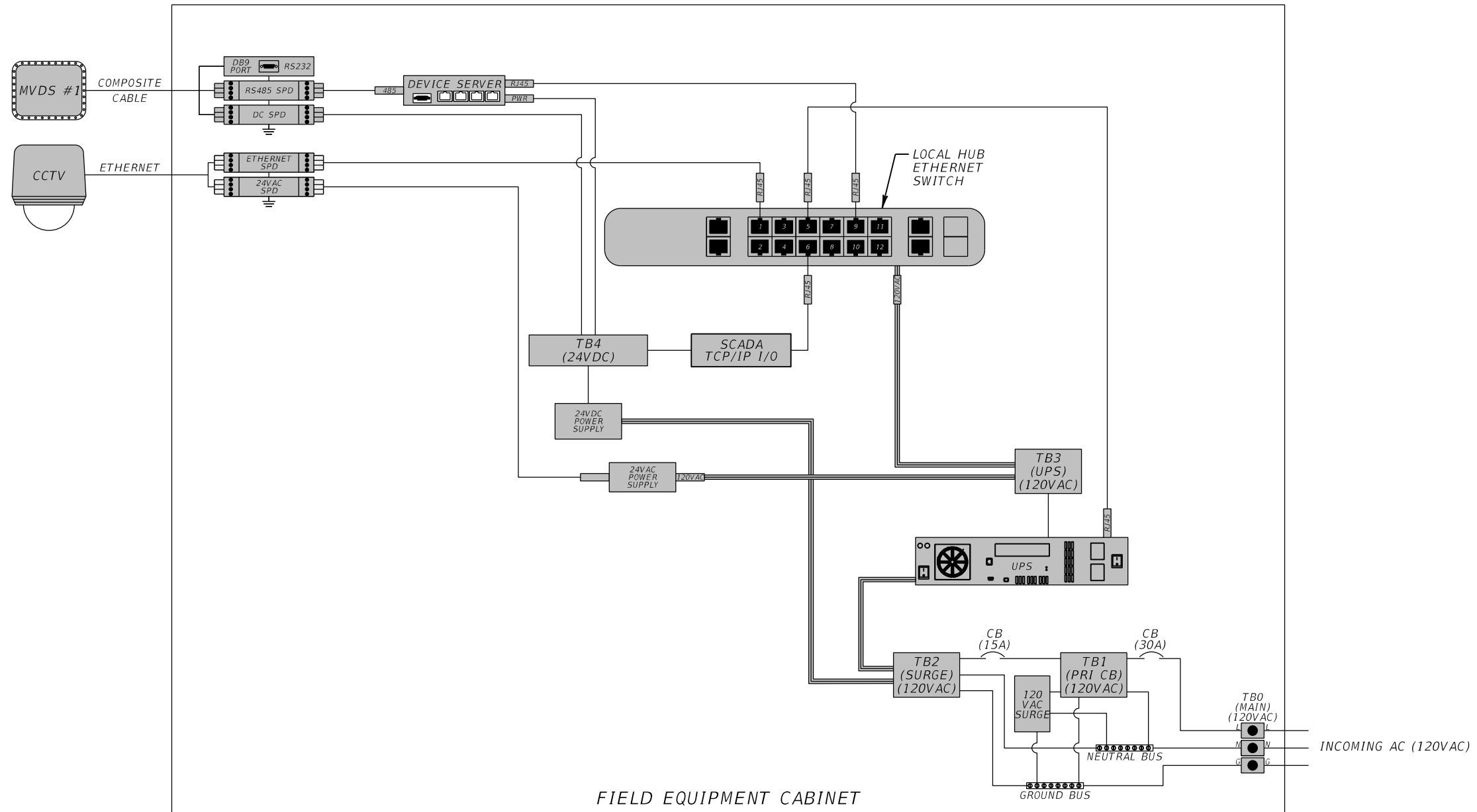


LHUB 75N-354.3, 75N-357.7, 75N-359.8,
75S-363.5, 75N-367.0, 75S-369.7,
75S-370.9, 75N-371.4, 75N-373.2

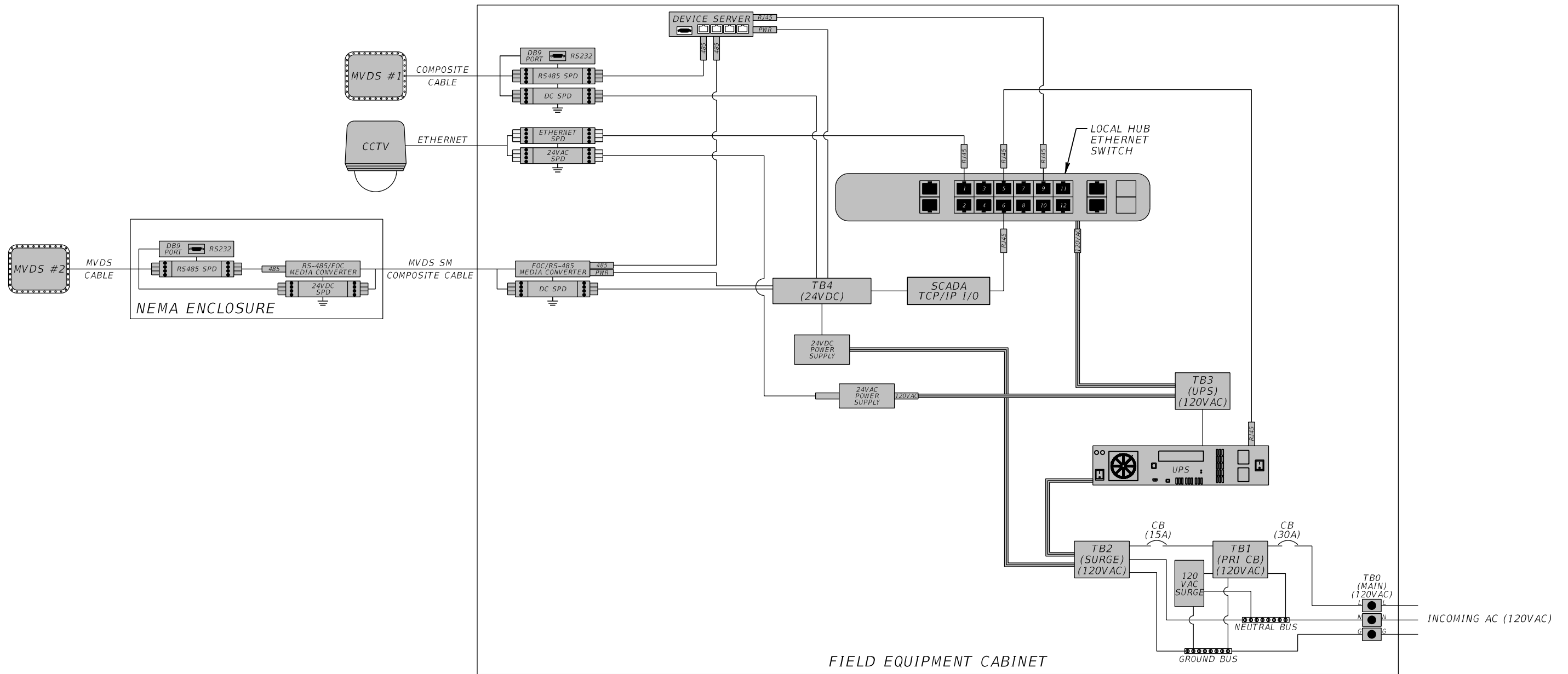


NOTE:
 1. SEE SCADA DETAILS FOR SCADA DEVICE WIRING

REVISIONS				METRIC ENGINEERING, INC. ROBERT MASTASCUSA, P.E. # 66600 615 CRESCENT EXECUTIVE CT SUITE 524 LAKE MARY, FLORIDA 32746 TEL. (407) 644-1898 FAX. (407) 644-2376 CERTIFICATE OF AUTHORIZATION 2294	STATE OF FLORIDA DEPARTMENT OF TRANSPORTATION			SHEET NO. WIRING DIAGRAMS IT-138
DATE	DESCRIPTION	DATE	DESCRIPTION		ROAD NO.	COUNTY	FINANCIAL PROJECT ID	
					SR 93	MARION	428213-2-52-02	

NOTICE: THE OFFICIAL RECORD OF THIS SHEET IS THE ELECTRONIC FILE SIGNED AND SEALED UNDER RULE 61G15-23.003, F.A.C.

LHUB 75S-355.1, 75N-356.0, 75N-360.8,
75N-361.7, 75N-363.9, 75S-364.9, 75N-365.9,
75S-370.4, 75N-373.9

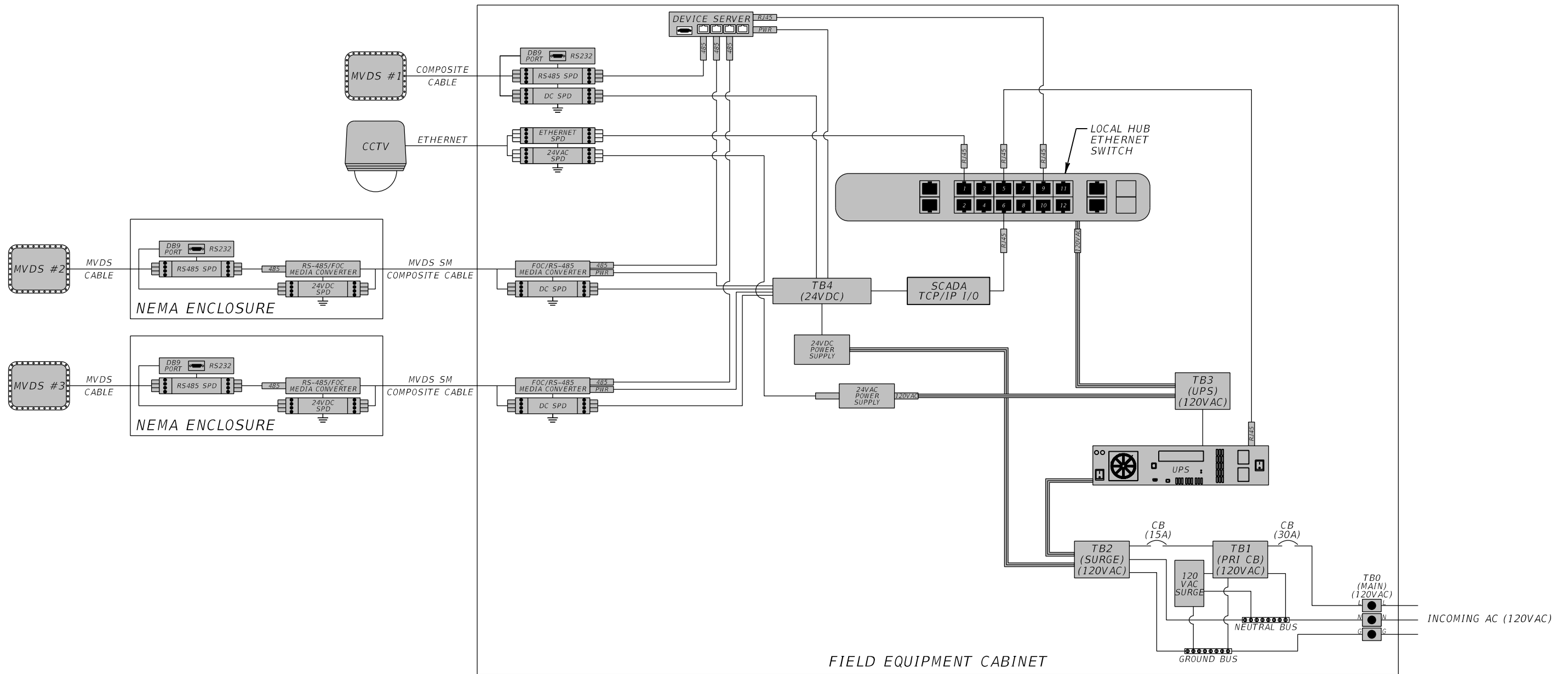


NOTE:
 1. SEE SCADA DETAILS FOR SCADA DEVICE WIRING

REVISIONS				METRIC ENGINEERING, INC. ROBERT MASTASCUSA, P.E. # 66600 615 CRESCENT EXECUTIVE CT SUITE 524 LAKE MARY, FLORIDA 32746 TEL. (407) 644-1898 FAX. (407) 644-2376 CERTIFICATE OF AUTHORIZATION 2294	STATE OF FLORIDA DEPARTMENT OF TRANSPORTATION			WIRING DIAGRAMS	SHEET NO.
DATE	DESCRIPTION	DATE	DESCRIPTION		ROAD NO.	COUNTY	FINANCIAL PROJECT ID		IT-139
					SR 93	MARION	428213-2-52-02		

NOTICE: THE OFFICIAL RECORD OF THIS SHEET IS THE ELECTRONIC FILE SIGNED AND SEALED UNDER RULE 61G15-23.003, F.A.C.

LHUB 75N-356.7, 75N-358.7, 75N-362.7, 75N-368.8, 75N-372.3



NOTE:
1. SEE SCADA DETAILS FOR SCADA DEVICE WIRING

REVISIONS			
DATE	DESCRIPTION	DATE	DESCRIPTION

METRIC ENGINEERING, INC.
ROBERT MASTASCUSA, P.E. # 66600
615 CRESCENT EXECUTIVE CT
SUITE 524
LAKE MARY, FLORIDA 32746
TEL. (407) 644-1898
FAX. (407) 644-2376
CERTIFICATE OF AUTHORIZATION 2294

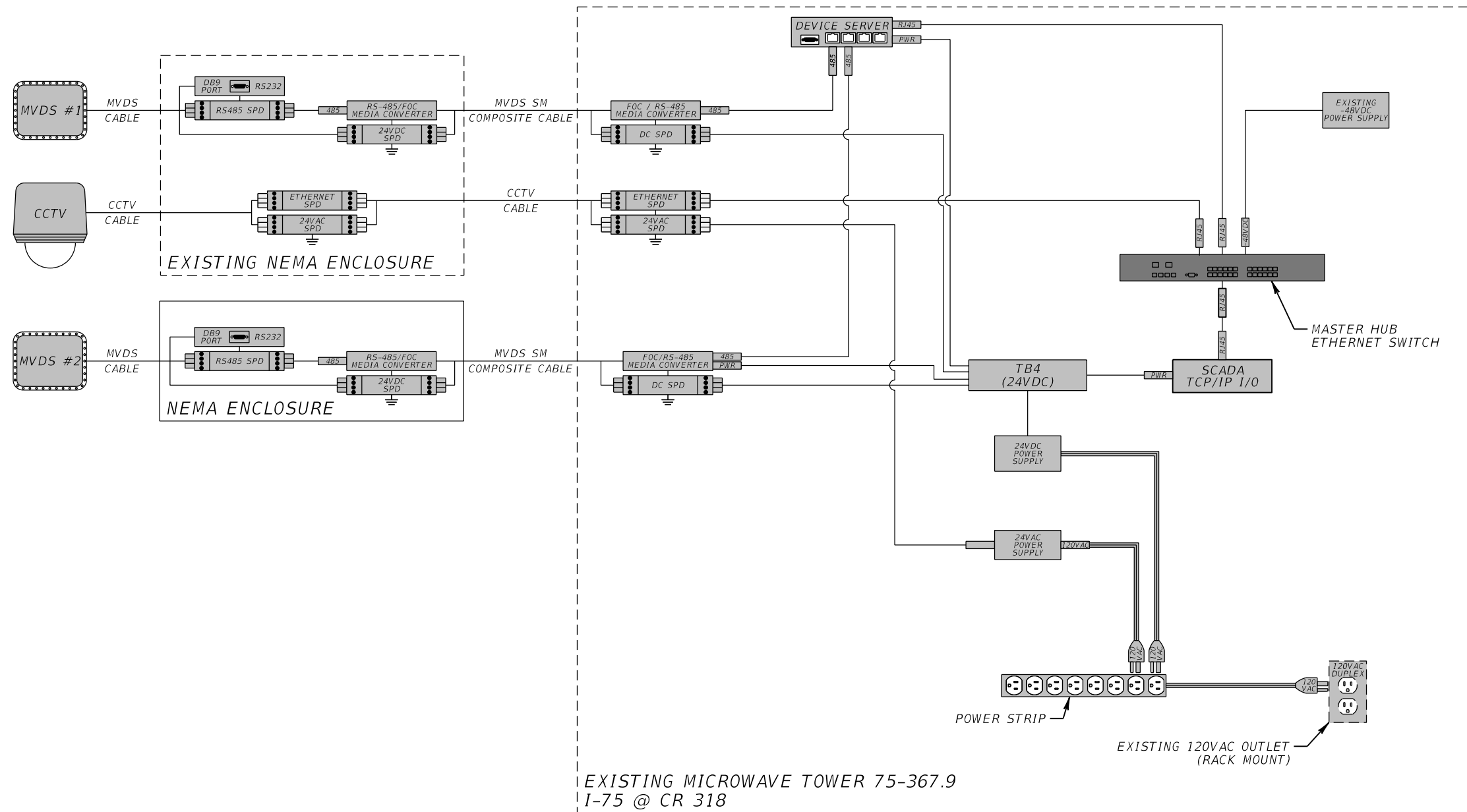
STATE OF FLORIDA DEPARTMENT OF TRANSPORTATION		
ROAD NO.	COUNTY	FINANCIAL PROJECT ID
SR 93	MARION	428213-2-52-02

WIRING DIAGRAMS

SHEET NO.
IT-140

NOTICE: THE OFFICIAL RECORD OF THIS SHEET IS THE ELECTRONIC FILE SIGNED AND SEALED UNDER RULE 61G15-23.003, F.A.C.

EXISTING MICROWAVE TOWER



EXISTING MICROWAVE TOWER 75-367.9
I-75 @ CR 318

NOTE:

1. SEE SCADA DETAILS FOR SCADA DEVICE WIRING

REVISIONS				METRIC ENGINEERING, INC. ROBERT MASTASCUSA, P.E. # 66600 615 CRESCENT EXECUTIVE CT SUITE 524 LAKE MARY, FLORIDA 32746 TEL. (407) 644-1898 FAX. (407) 644-2376 CERTIFICATE OF AUTHORIZATION 2294	STATE OF FLORIDA DEPARTMENT OF TRANSPORTATION			SHEET NO. WIRING DIAGRAMS IT-141
DATE	DESCRIPTION	DATE	DESCRIPTION		ROAD NO.	COUNTY	FINANCIAL PROJECT ID	
					SR 93	MARION	428213-2-52-02	

NOTICE: THE OFFICIAL RECORD OF THIS SHEET IS THE ELECTRONIC FILE SIGNED AND SEALED UNDER RULE 61G15-23.003, F.A.C.